

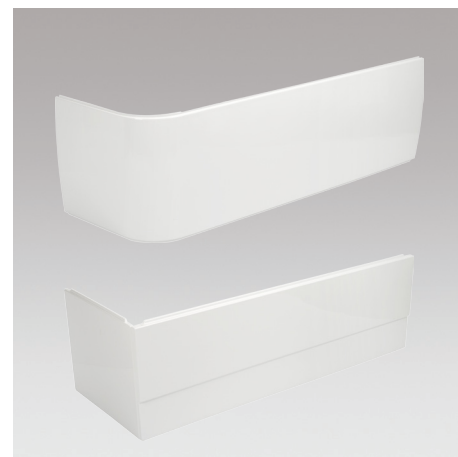
Reach Bath Panels

E6363 / 11295W / 11290W / 11291W
11292W / 11293W / 11294W**Product Description:** Reach bath panels

E6363 - Reversible bath panel 1600 mm
 11295W - Front bath panel 1500 mm
 11290W - Front bath panel 1700 mm
 11291W - Front bath panel 1800 mm
 11292W - End bath panel 700 mm
 11293W - End bath panel 750 mm
 11294W - End bath panel 800 mm

Required Items:

E6363 - 15561K-SF-00 / 15562K-SF-00
 Reach asymmetric bath
 11295W - C18549W-00 Reach 1500 mm bath
 11290W - C18548W-00 Reach 1700 mm bath
 11291W - C18546W-00 Reach 1800 mm bath
 11292W - C18549W-00 Reach 1500 mm bath
 or C18548W-00 Reach 1700 mm bath
 11293W - C18547W-00 Reach 1700 mm bath
 11294W - C18546W-00 Reach 1800 mm bath

**Product Dimensions:**

E6363 - 546 x 1597 mm
 11295W - 556 x 1497 mm
 11290W - 556 x 1697 mm
 11291W - 556 x 1797 mm
 11292W - 556 x 688 mm
 11293W - 556 x 738 mm
 11294W - 556 x 788 mm

Product Weight (kg):

E6363 - 6
 11295W - 3.05
 11290W - 3.1
 11291W - 3.2
 11292W - 1.3
 11293W - 1.4
 11294W - 1.5

Colour/Finish:

White

Material:

Acrylic

Guarantee (Years):

5

Dimensions (mm):

On following page

Kohler UK

Sales and Technical:

+44 (0) 844 571 0048 (Calls cost 7p per minute plus your phone company's access charge)

info@kohler.co.uk

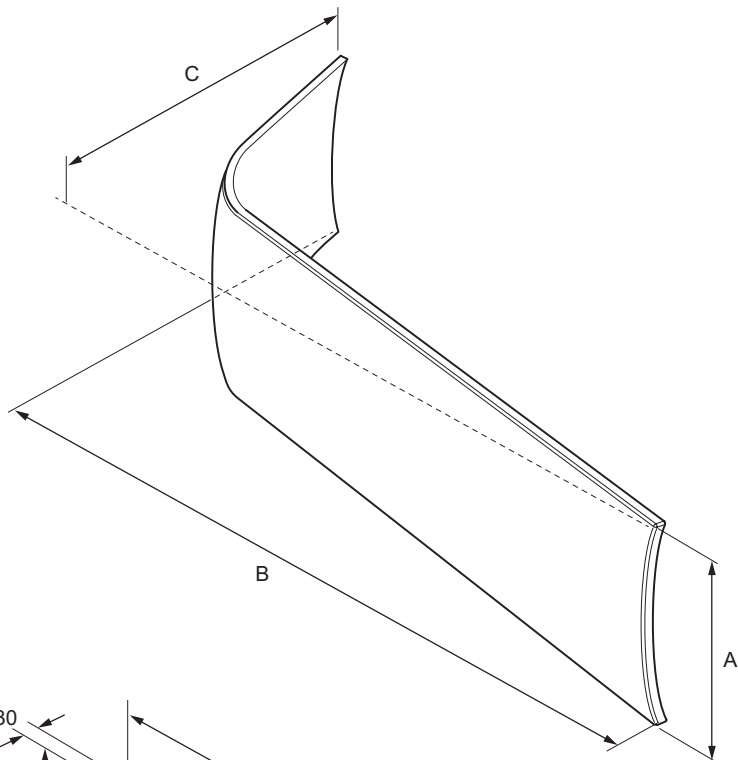
www.KOHLER.co.uk

THE BOLD LOOK
 OF **KOHLER**®

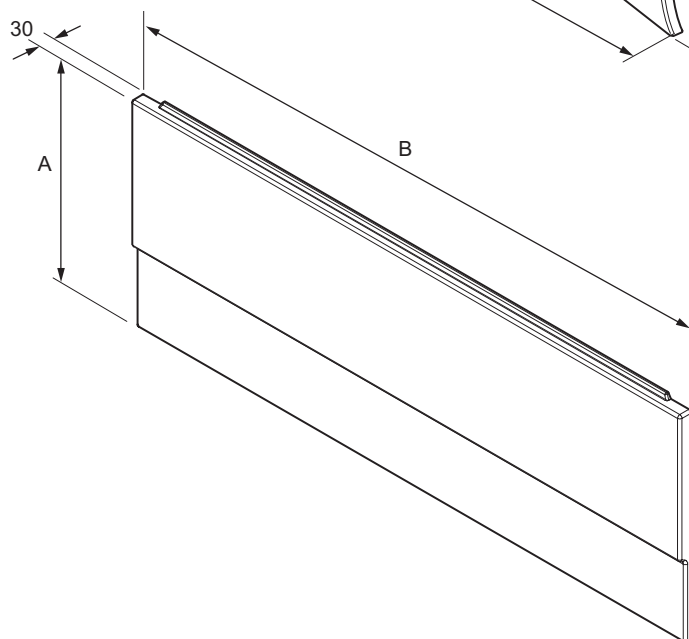
Reach Bath Panels

E6363 / 11295W / 11290W / 11291W
11292W / 11293W / 11294W

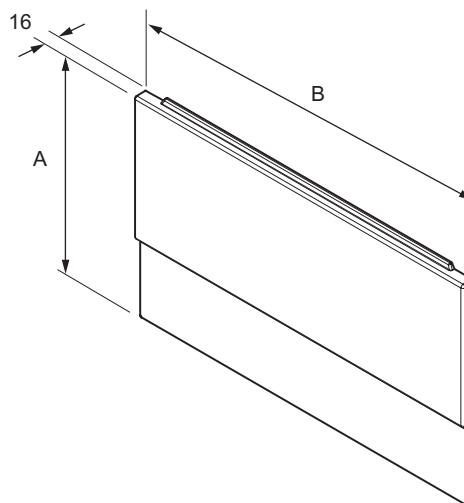
Dimensions (mm)



Asymmetric Panel	A	B	C	Weight (kg)
E6363	546	1600	900	6



Front Panel	A	B	Weight (kg)
11295W	556	1497	3.05
11290W	556	1697	3.1
11291W	556	1797	3.2



End Panel	A	B	Weight (kg)
11292W	556	688	1.3
11293W	556	738	1.4
11294W	556	788	1.5